

4

3

2

1

D

D

C

C

B

B

A

A

234-44-147  
Air Knob, 2020 Marzocchi Z2 (34)

Seals: 2020 Marzocchi Z2 Air Knob, Red NBR 70

820-05-416-KIT  
Topcap Assy, 2018, FLOAT LC NA 2, 34, Black

234-04-953  
Volume Spacer, FLOAT NA 2, 34, 1.214 Bore, Green

TORQUE:  
220±5 IN-LBF  
(INTO FORK CHASSIS)

019-02-044  
Fastener, Standard(Metric) : Bolt [M8 X1.25P X16mm] Socket Button Head Cap/Black, Oxide Alloy Steel / Grade 8.8

TORQUE:  
50±5 IN-LBF  
(INTO FORK CHASSIS)

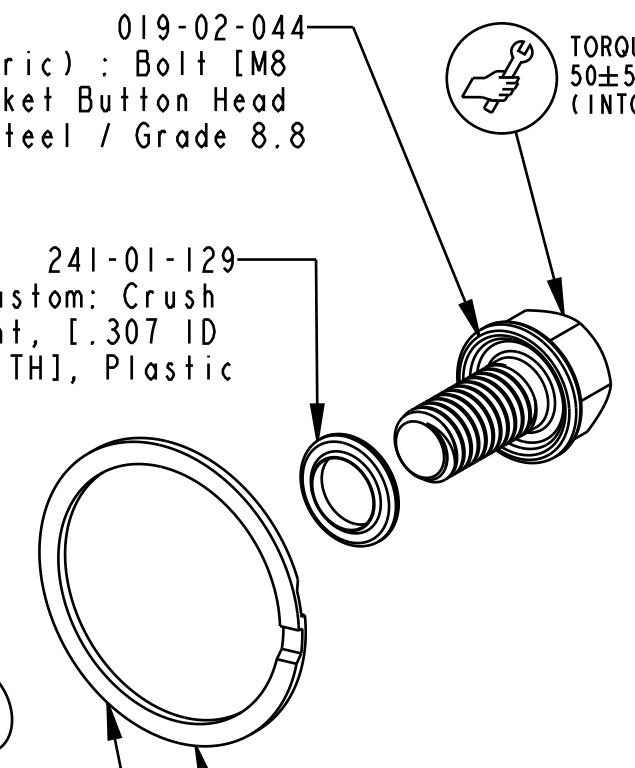
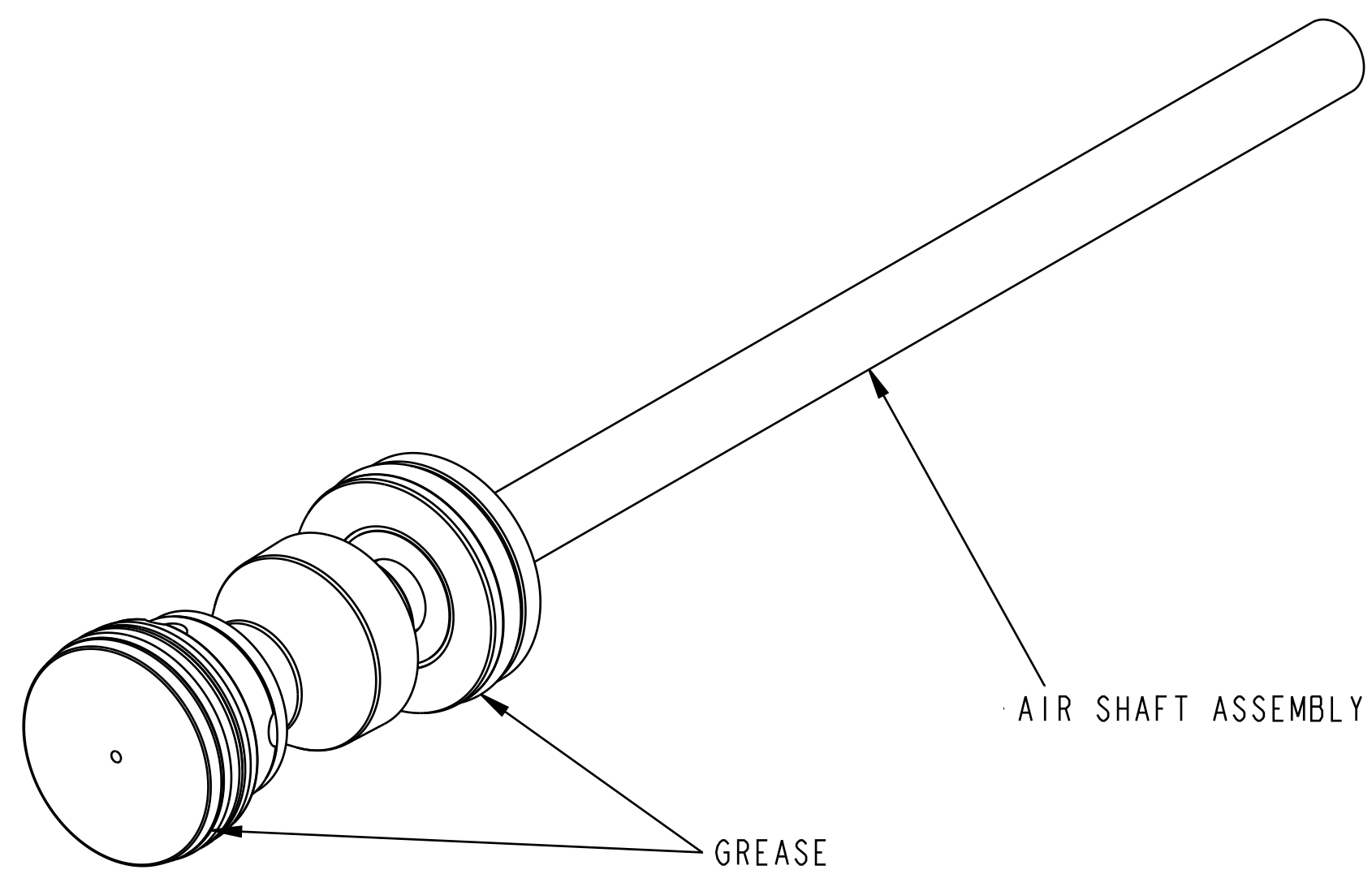
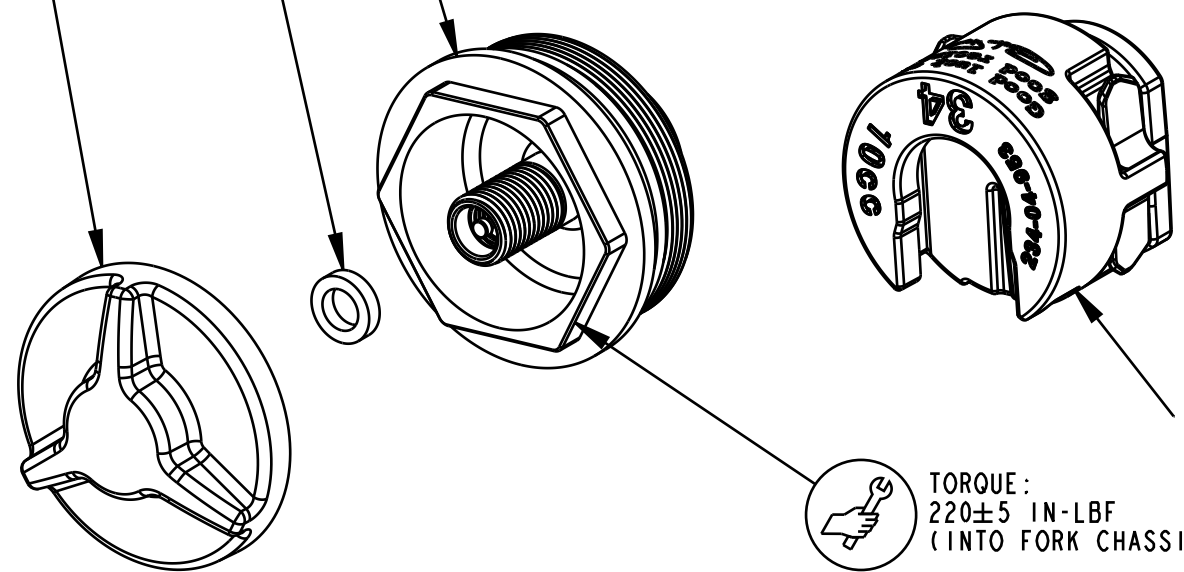
241-01-129  
Fastener, Custom: Crush Washer, Direct Mount, [.307 ID X .472 OD X .039 TH], Plastic

038-00-074  
Retaining Ring: Internal, Smalley DNH-31-SO2, 302 SST

IMPORTANT:  
INSPECT 100% THAT RETAINING RING IS FULLY INSTALLED INTO GROOVE FULL 360°

AIR SHAFT ASSEMBLY

GREASE



PROPRIETARY  
THIS DOCUMENT CONTAINS CONFIDENTIAL, PROPRIETARY INFORMATION THAT IS FOX PROPERTY. DO NOT DISCLOSE TO OR DUPLICATE FOR OTHERS EXCEPT AS AUTHORIZED BY FOX.

		<b>FOX Factory, Inc.</b>	Ph 831-768-1100
		130 Hangar Way, Watsonville, CA 95076 USA	Fax 831-768-9312
TITLE <b>2025 Z2 Direct Mount Air Spring Assys</b>			
SIZE	DWG. NO.		
<b>C</b>			
PLOT SCALE 1, 3: 1		SHEET 1 OF 1	

4

3

2

1

ProE ASSEM